

CODE NUMBER

3370418

DESCRIPTION

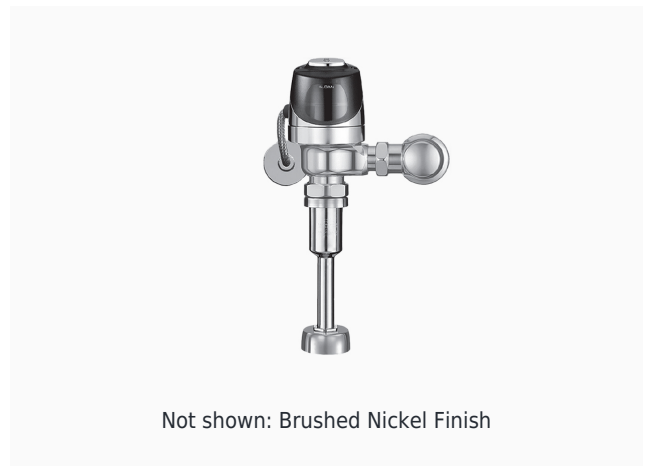
0.125 gpf, Brushed Nickel Finish, Top Spud, Single Flush, Electrical Override, Hardwired, ECOS® Exposed Sensor Hardwired Urinal Flushometer.

DETAILS

- Flush Volume: 0.125 gpf (0.5 Lpf)
- Finish: Brushed Nickel (BN)
- Power Type: Hardwired (HW)
- Valve: Diaphragm
- Valve Body Material: Semi-red Brass
- Fixture Type: Urinal
- Fixture Connection: Top Spud
- Rough-In Dimension: 11 ½" (292mm)
- Spud Coupling: ¾" (19mm)
- Supply Pipe: ¾" (19mm)
- Override: Electrical (OR)

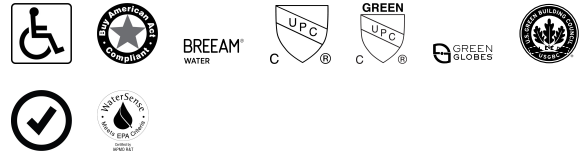
FEATURES

- Includes 9" electrical cable, right hand electrical rough-in may require 18" cable - consult factory
- Flex Tube Diaphragm designed for improved life and reduced maintenance
- Courtesy Flush® Override Button
- PERMEX® Synthetic Rubber Diaphragm with twin linear filtered bypass and vortex cleansing action
- Employs an infrared sensor with multiple-focused, lobular sensing fields for high and low target detection
- Latching Solenoid Operator
- High copper, low zinc brass castings for dezincification resistance
- Engineered Metal Cover with replaceable Lens Window
- High Back Pressure Vacuum Breaker Flush Connection with One-piece Bottom Hex Coupling Nut
- ADA Compliant Sloan® ECOS® Electronic Infrared Sensor for automatic "No Hands" operation
- Adjustable Tailpiece
- Line Powered with 6 VAC Step Down Transformer
- 3/4" I.P.S. Screwdriver Bak-Chek® Angle Stop
- Initial Set-up Range Indicator Light (first 10 minutes)
- Sweat Solder Adapter with Cover Tube and Cast Wall Flange with Set Screw
- Infrared Sensor with Multiple-focused, Lobular Sensing Fields for high and low target detection
- High Copper, Low Zinc Brass Castings for Dezincification Resistance
- Spud Coupling and Flange for 3/4" Top Spud
- Free Spinning, Vandal Resistant Stop Cap
- Fixed metering bypass and no external volume adjustment to ensure water conservation
- Valve body, Cover, Tailpiece and Control Stop shall be in compliance with ASTM Alloy Classification for Semi-Red Brass
- Valve shall be in compliance to the applicable sections of ASSE



Not shown: Brushed Nickel Finish

COMPLIANCES & CERTIFICATIONS



(ADA Compliant, BAA Compliant, BREEAM Water Credit, cUPC Certified, cUPC Green Certified, Green Globes Water Credit, LEED V4 Water Efficiency Credit, Satisfies LEED Credits, WaterSense Listed)

RECOMMENDED SPECIFICATION

Valve Body, Cover, Tailpiece and Control Stop shall be in conformance with ASTM Alloy Classification for Semi- Red Brass. Valve shall be in compliance with the applicable sections of ASSE 1037 and ANSI/ASME 112.19.2.

ELECTRICAL SPECIFICATIONS

- Transformers:
 - EL-386 (Up to 1 flushometer)
 - EL-451 (up to 6 flushometers)

VALVE OPERATING PRESSURE (FLOWING)

15-80 PSI (103-552 kPa). Specific fixtures may require greater minimum flowing pressure - consult manufacturer requirements.

DOWNLOADS

- [ECOS Single Flush HW Flushometer and Retrofit](#)
- [ECOS HW Repair and Maintenance Guide](#)
- [Control Stop Repair and Maintenance Guide](#)
- [Flush Connections Flanges Repair and Maintenance Guide](#)
- [Tail Piece Repair and Maintenance Guide](#)
- [Additional Downloads](#)

NOTES

All information contained within this document subject to change without notice.

Sloan 10500 Seymour Ave, Franklin Park, IL 60131

Phone: 800.982.5839 • Fax: 800.447.8329 • sloan.com

1037

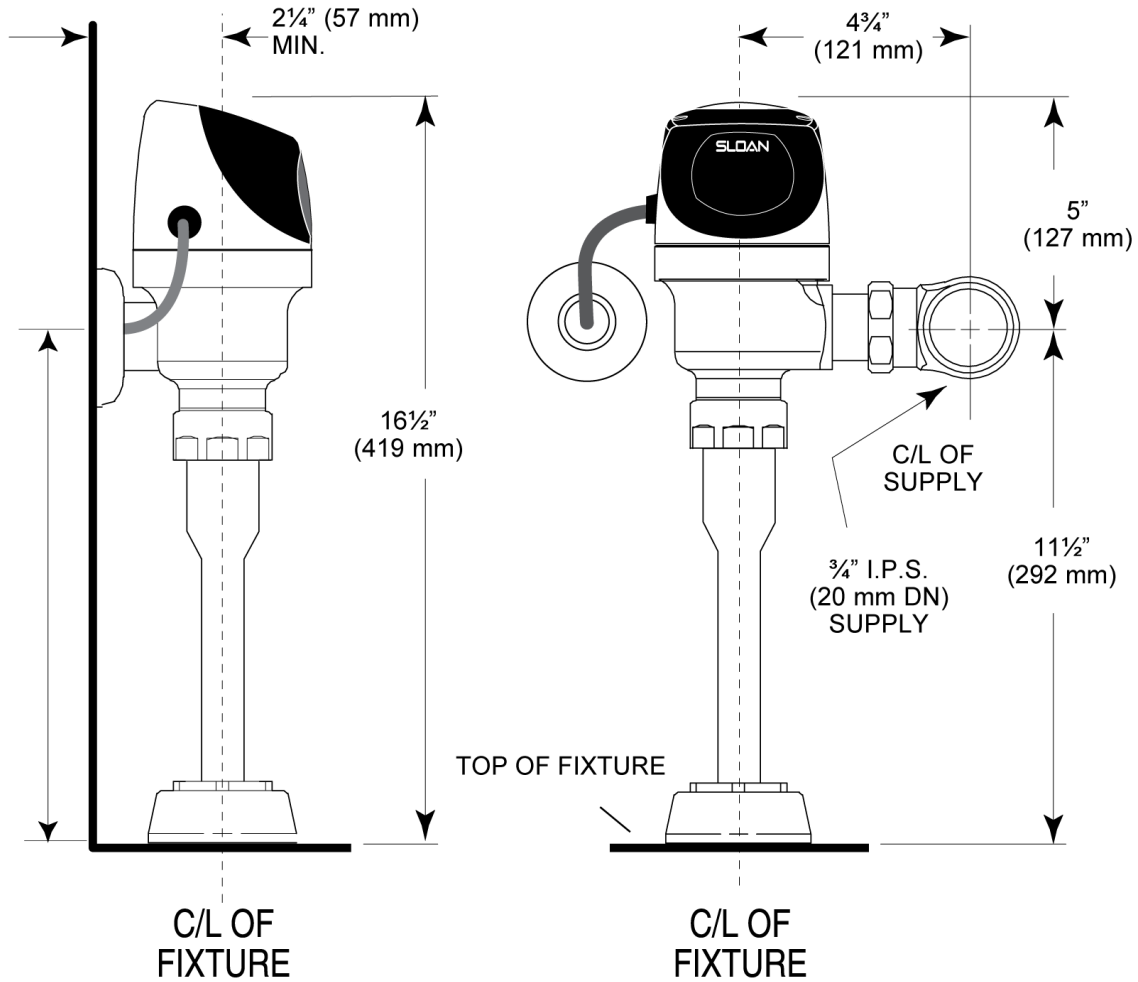
Looking for other variations of the ECOS 186 HW product? [View the general spec sheet with all options.](#)

[Find a compatible urinal](#) for this flushometer.

[Find a compatible water closet](#) for this flushometer.

WaterSense compliant when used with a WaterSense compliant fixture

ROUGH-IN



Sloan 10500 Seymour Ave, Franklin Park, IL 60131
Phone: 800.982.5839 • Fax: 800.447.8329 • sloan.com